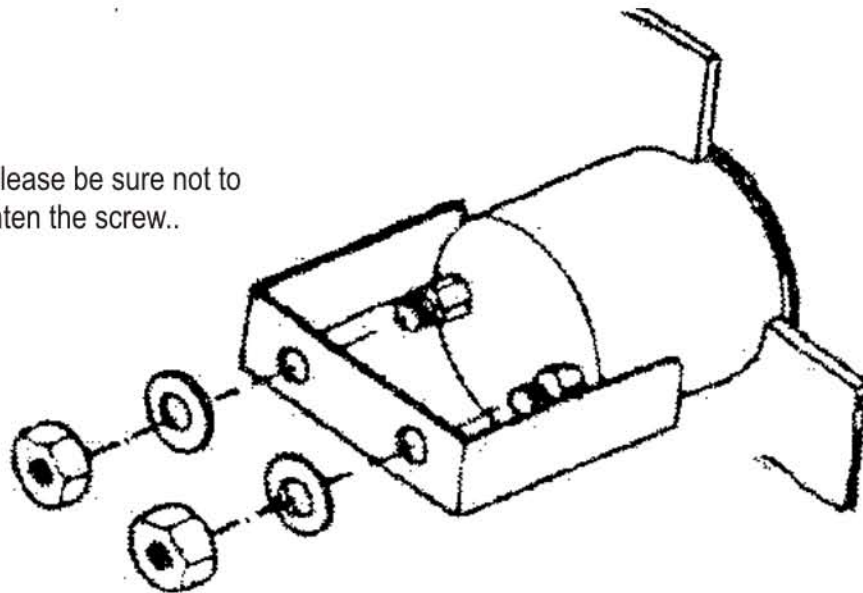


## Wiring Instructions

Red- 12V Accessory power  
Black - Ground  
White-12 ACC Power  
Orange- Headlight switch or  
Switch power source.

\*Note. Please be sure not to  
over tighten the screw..



Installing U bracket.