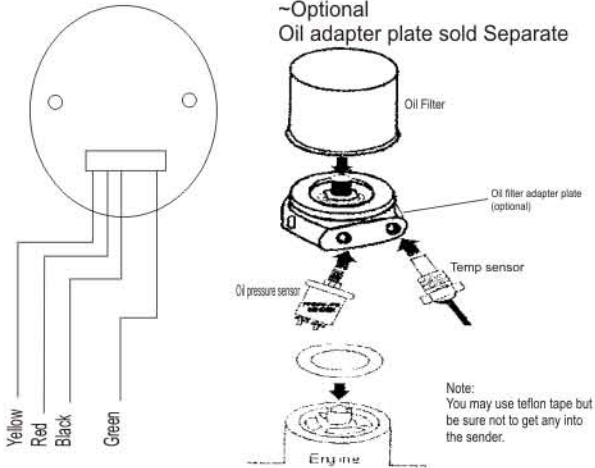


Prosport Inc.

Digital Oil Pressure Gauge

Digital Display



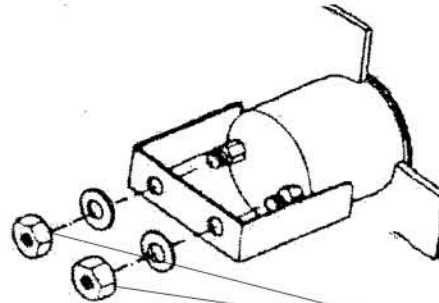
Wiring Instructions

Red- 12v Accessory power
Yellow- 12v Accessory Power
Black-Ground
Green- Oil pressure sender (connects to "G")

There are 20 PCS of LED lights inside

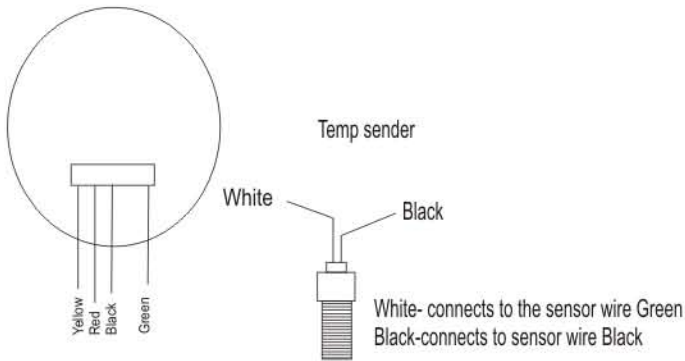
0-15 PSI Red LED X 2 PCS	16-29 PSI Yellow LED X 2 PCS	30- 145 PSI Red LED X 16 PCS
-----------------------------	---------------------------------	---------------------------------

- If the oil pressure value is below 11 PSI or higher then 145 PSI for 3 seconds or more, the digital numbers will start flashing and warning.
- Oil pressure Display: Digital type --> 0-145 PSI
Analog LED --> 0-145 PSI



Digital Oil/ Water Temperature Gauge

Digital Display



Wiring Instructions

Red- 12v Accessory power
Black-Ground
Yellow- 12v Power
Green- Temp Sensor

- If the oil Temp Value is below 104 F or higher then 224 F for more the 3 seconds the digital numbers will start flashing and warning.
- Oil Temp Display: Digital type --> 70-300 F
Analog LED --> 100-300 F

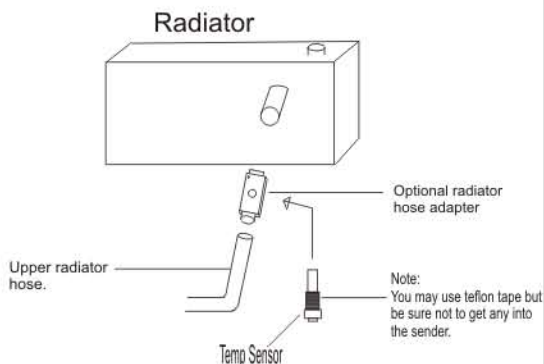
OIL TEMP GAUGE
There are 20 PCS of LED lights inside

100-180 F Green LED X 8 PCS	181-230 F Yellow LED X 5 PCS	231-300 F Red LED X 7 PCS
--------------------------------	---------------------------------	------------------------------

WATER TEMP GAUGE
There are 20 PCS of LED lights inside

80-140 F Green LED X 6 PCS	141-190 F Yellow LED X 4 PCS	191-280 F Red LED X 10 PCS
-------------------------------	---------------------------------	-------------------------------

- If the Water Temp Value is below 104 F or higher then 208 F for more the 3 seconds the digital numbers will start flashing and warning.
- Water Temp Display: Digital type --> 70-300 F
Analog LED --> 80-280 F



~Optional
Oil adapter plate sold Separate

