

Digital dual intercooler temperature gauge

- A. INPUT RESISTANCE: 68600 ~ 316 Ω
- B. UNITS TYPE: °F / °C -TO CHANGE TO °C MOVE BOTH DIP SWITCHES ON THE BACK TO THE UP POSITION
- C. INTERCOOLER TEMP GAUGE DISPLAY: DIGITAL TYPE → 0-300 °F
- D. DPI OF DIGITAL DISPLAY= 1°F
- E. IF THE INTERCOOLER TEMPERATURE GAUGE CANNOT READ THE TEMP. SENSOR SIGNAL, THEN THE DIGITAL NUMBERS WILL COUNT DOWN TO “- - -” AND FLASH INDICATING A FAULT.
- F. TEMPERATURE SENDER THREAD PITCH IS 3/8”NPT

INSTALLATION INSTRUCTIONS:

GAUGE POWER WIRE HARNESS:

- Red- 12v Ignition Power (+)
- Black- Engine Ground
- Orange- Optional Headlamp 12v (+)

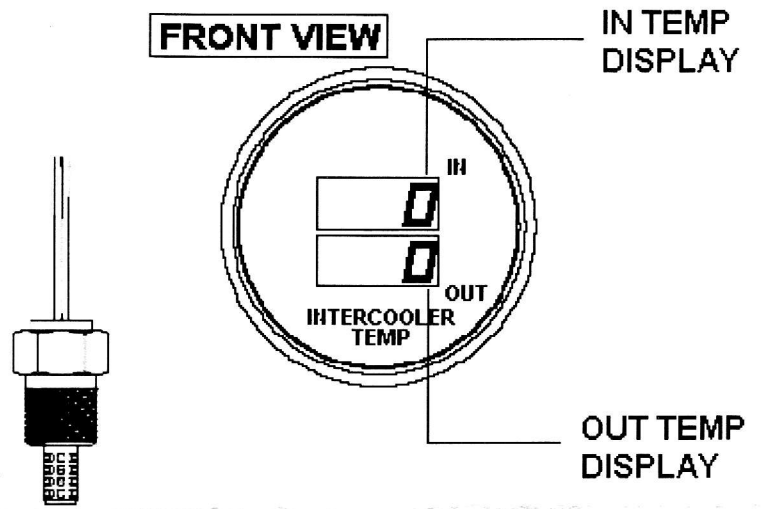
SENSOR WIRE HARNESS :

DIGITAL INTERCOOLER TEMP “IN” DISPLAY

- Green – Connect to temp sensor white wire
- Black – Connect to temp sensor black wire

DIGITAL INTERCOOLER TEMP “OUT” DISPLAY

- Blue – Connect to temp sensor white wire
- Black – Connect to temp sensor black wire



2 AIR TEMP. SENSORS :

- White – Connect to the Green/Blue wire respectively for in/out from the gauge power wire harness
- Black – Connect to gauge black wire.

1. Disconnect the negative battery cable.
2. Connect the Orange wire to the head lamp switch to dim the gauge when the headlamps are turned on.
3. Connect the Red wire to 12 volt ignition source. When wiring this connection install a 3 amp fuse within 20 inches of the source. For easy installation in the fuse panel you can get an “add a circuit” which looks like a fuse with an additional wire attached. This is available at most local auto parts store.
5. The Green (Blue) wire needs to be connected to the White wire of the sender.
6. Connect the Black wire to any ground connection, or you can connect it directly to the negative side of the battery.
7. Reconnect the negative battery cable.

